

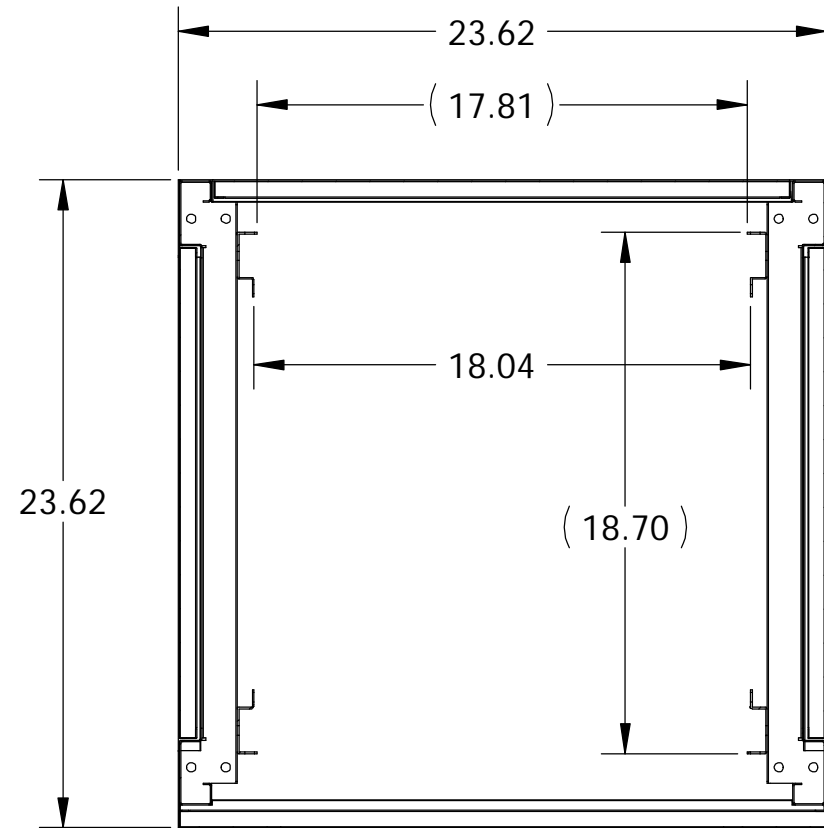
PART NAME

VISIONCAB

PART No.

VC-9930 THRU VC-9934

REVISION DATE 17AUG07



SECTION A-A

ITEM NUMBER	H	PS
VC-9930	15.29	10.50
VC-9931	20.54	15.75
VC-9932	25.79	21.00
VC-9933	31.04	26.25
VC-9934	36.29	31.50

MATERIAL:  
 BODY, DOORS & PANELS - 16 TO 20 GA. [.062" (1.5mm) TO .031 (0.8mm)] COLD ROLLED STEEL  
 FRONT DOOR WINDOW - [.110" (2.8mm)] THICK CLEAR ACRYLIC

FINISH:  
 LIGHT TEXTURED BLACK POWDER COAT

MOUNTING RAIL HARDWARE:  
 ACCEPTS #12-24 OR M6 CAGE NUTS AND SCREWS

DIMENSIONS ARE IN INCHES

